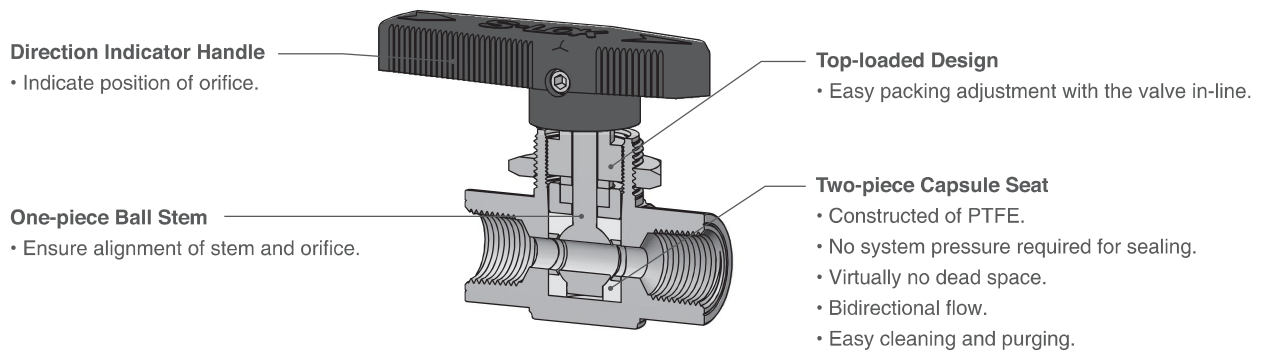
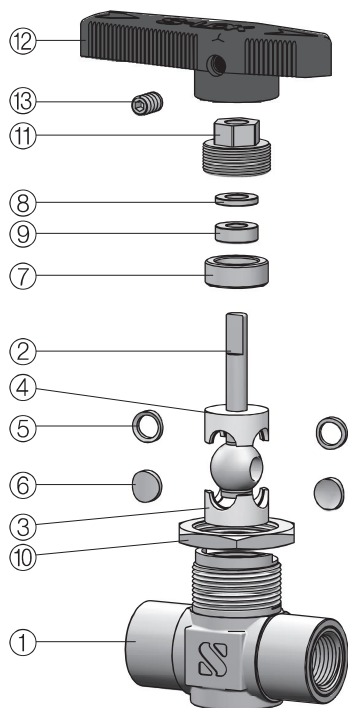


SBV30 Series



Materials of Construction



No	Component	Body Material	
		Stainless Steel	Brass
1	Body	SS316 / A182	Brass / B16
2	Ball Stem	SS316 / A276	Brass / B16
3	Lower Seat	PTFE	PTFE
4	Upper Seat	PTFE	PTFE
5	Side Ring	Fluorocarbon Coated SS316	Fluorocarbon Coated SS316
6	Side Disc	Fluorocarbon Coated SS316	Fluorocarbon Coated SS316
7	Lower Gland	SS316 / A276	Brass / B16
8	Upper Gland	SS316 / A276	SS316 / A276
9	Packing	PTFE	PTFE
10	Panel Nut	SS316 / A276	Brass / B16
11	Packing Bolt	SS316 / A276	Brass / B16
12	Handle	Black Nylon with Brass Insert	Black Nylon with Brass Insert
13	Set Screw	SS304	SS304

Pressure Ratings

Valve Series	2-Way Straight	2-Way Angle & 3-Way Switching	Temperature Range
SBV1	2500psig (172bar)	2500psig (172bar)	10 °C to 65 °C 50 °F to 150 °F
SBV2	3000psig (206bar)	2500psig (172bar)	
SBV3	2500psig (172bar)	1500psig (103bar)	
SBV4	2500psig (172bar)	1500psig (103bar)	

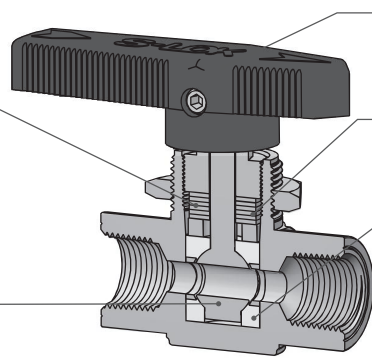
SBVP Series

Live-loaded Design

- Reduce need for packing adjustment.
- Wear compensation.
- Improved performance for thermal cycle.

One-piece Ball Stem

- Ensure alignment of stem and orifice.



Direction Indicator Handle

- Indicate position of orifice.

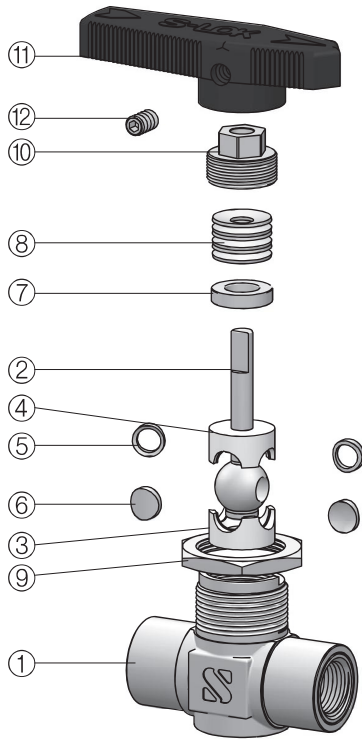
Top-loaded Design

- Easy packing adjustment with the valve in-line.

Two-piece Capsule Seat

- Constructed of PFA.
- No system pressure required for sealing.
- Virtually no dead space.
- Bidirectional flow.
- Easy cleaning and purging.

Materials of Construction



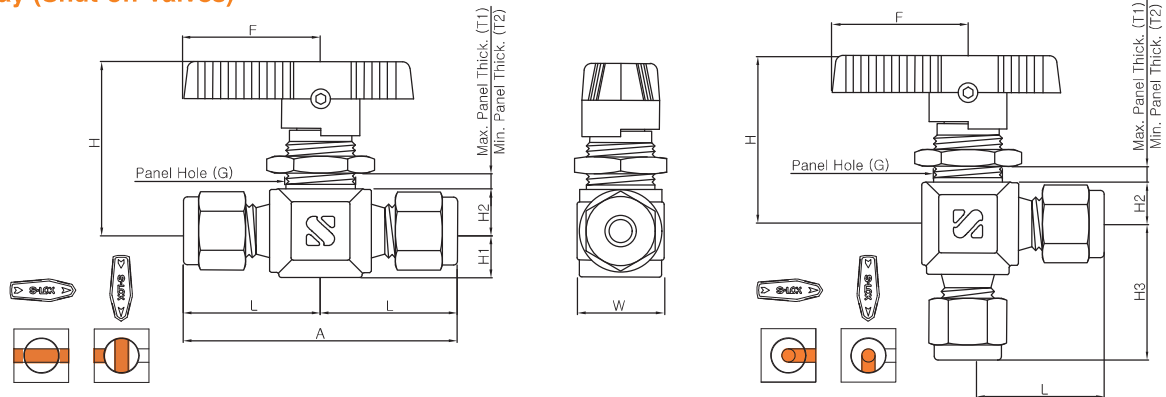
No	Component	Body Material	
		Stainless Steel	Brass
1	Body	SS316 / A182	Brass / B16
2	Ball Stem	SS316 / A276	Brass / B16
3	Lower Seat	PFA	PFA
4	Upper Seat	PFA	PFA
5	Side Ring	Fluorocarbon Coated SS316	Fluorocarbon Coated SS316
6	Side Disc	Fluorocarbon Coated SS316	Fluorocarbon Coated SS316
7	Gland	SS316 / A276	SS316 / A276
8	Disc Spring	Stainless Steel 301	Stainless Steel 301
9	Panel Nut	SS316 / A276	Brass / B16
10	Packing Bolt	SS316 / A276	Brass / B16
11	Handle	Black Nylon with Brass Insert	Black Nylon with Brass Insert
12	Set Screw	SS304	SS304

Pressure Ratings

Valve Series	2-Way Straight	2-Way Angle & 3-Way Switching	Temperature Range
SBVP1	2500psig (172bar)	2500psig (172bar)	-54°C to 65°C -65°F to 150°F
SBVP2	3000psig (206bar)	2500psig (172bar)	
SBVP3	2500psig (172bar)	1500psig (103bar)	
SBVP4	2500psig (172bar)	1500psig (103bar)	

Dimensions & Flow Rate

2-Way (Shut-off Valves)



Ordering Number	Orifice		Cv		End Connections		Dimensions (mm)										
	mm	inch	Inline	Angle	Inlet	Outlet	A	L	H3	H2	H1	F	T1	T2	G	H	W
SBV1	S-1T	1.3	0.052	0.1	-	1/16" S-LOK	42.7	21.3	-	8.6	9.5	28.4	6.4	2.0	15.1	34.5	18
	S-2T	2.4	0.093	0.2	0.15	1/8" S-LOK	51.1	25.6	24.6								
	S-3M			0.2	0.15	3mm S-LOK	51.1	25.6	24.6								
	S-4T			0.6	0.35	1/4" S-LOK	56.1	28.1	27.2								
	S-6M	3.2	0.125	0.6	0.35	6mm S-LOK	56.1	28.1	27.2								
	F-2N			0.5	0.3	1/8" Female NPT	41.1	20.6	20.6								
SBV2	S-4T	4.8	0.187	1.4	0.9	1/4" S-LOK	59.9	30.0	29.7	10	11	38.9	4.8	2.5	19.8	39.6	21
	S-6T			1.5	0.9	3/8" S-LOK	65.5	32.8	32.8								
	S-6M			1.4	0.9	6mm S-LOK	60.7	30.4	29.7								
	S-8M			1.5	0.9	8mm S-LOK	62.5	31.2	30.5								
	F-2N			1.2	0.7	1/8" Female NPT	50.8	25.4	25.4								
	F-4N			0.9	0.75	1/4" Female NPT	52.3	26.2	26.2								
	M-4N			1.2	0.75	1/4" Male NPT	50.8	25.4	26.2								
	F-4R			0.9	0.75	1/8" Female PT	52.3	26.2	-								
SBV3	S-6T	7.1	0.281	6.0	2.0	3/8" S-LOK	77.5	38.8	36.3	13.5	15.5	50.8	9.5	3.0	28.6	52.6	29
	S-10M			6.0	2.0	10mm S-LOK	78.0	38.9	36.9								
	S-8T			6.0	1.5	1/2" S-LOK	83.1	41.6	39.1								
	F-4N			3.0	1.7	1/4" Female NPT	63.5	31.8	31.8								
	F-6N			2.6	1.5	3/8" Female NPT	63.5	31.8	31.8								
	F-6R			2.6	1.5	3/8" Female PT	63.5	31.8	-								
SBV4	S-8T	10.3	0.406	12.0	4.6	1/2" S-LOK	99.6	49.8	44.2	16.7	20.5	76.2	9.5	3.0	38.1	61.7	39
	S-12T			6.4	3.8	3/4" S-LOK	99.6	49.8	44.2								
	S-12M			12.0	4.6	12mm S-LOK	99.6	49.8	44.2								
	F-8N			6.3	3.5	1/2" Female NPT	79.2	39.6	39.6								
	F-8R			6.3	3.5	1/2" Female PT	79.2	39.6	-								

Pressure Drop to Atmosphere (Δp), psi		Cv														
		0.1	0.2	0.5	0.6	0.9	1.2	1.5	1.6	2.4	2.6	3.0	6.0	6.3	6.4	12.0
Air SCFM @70° (21°C)	10	1.1	2.7	6.9	8.3	12.0	17.0	21.0	22.0	33.0	36.0	41.5	83.0	87.2	88.6	166.0
	50	3.0	7.6	19.1	23.0	34.0	46.0	57.0	61.0	92.0	99.5	115.0	230.0	241.0	245.0	459.0
	100	5.3	14.0	33.9	40.7	61.0	81.0	100.0	110.0	160.0	176.0	203.0	407.0	427.0	434.0	814.0
Water US GPM @70° (21°C)	10	0.3	0.6	1.6	1.9	2.8	3.7	4.7	5.0	7.5	8.2	9.5	19.0	19.9	20.2	37.9
	50	0.7	1.4	3.5	4.2	6.3	8.4	11.0	11.0	17.0	18.4	21.2	42.3	44.5	45.3	84.9
	100	1.0	2.0	5.0	6.0	9.0	12.0	15.0	16.0	24.0	26.0	30.0	60.0	63.0	64.0	120.0